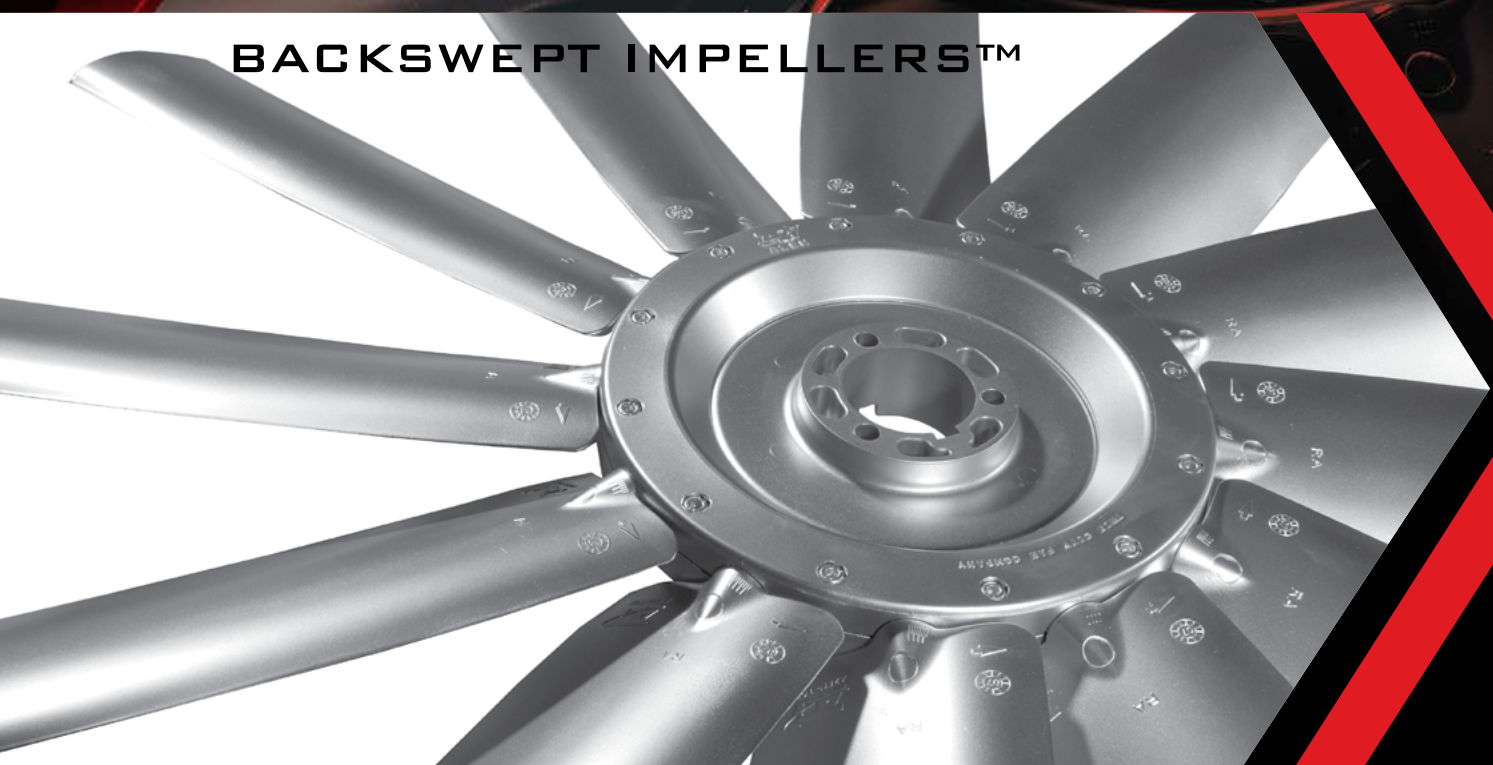


# AEROVENT

INDUSTRIAL VENTILATION SYSTEMS



## BACKSWEEP IMPELLERS™



**MODELS: BSA / BSP**

PATENT PENDING



CATALOG 567  
APRIL 2024

# Construction/Design Features

- Unique Backswept Profile with Airfoil Cross Section
- Diecast Aluminum Construction
- Blades also available in GRP (Polypropylene)
- Adjustable Pitch Blade Design
- Blades can be Trimmed to Meet Any Diameter
- Impeller Diameter 12" to 55" with 2, 3, 4, 5, 6, 9, 10 and 12 Blade Options
- Impeller uses Split Taper Lock Bushing for Superior Holding Power on Shaft



## PERFORMANCE

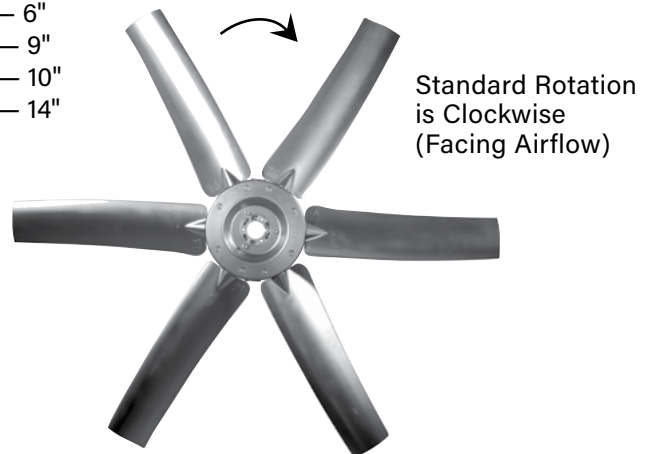
- Delivers High Airflow up to 110,000 CFM
- Static Pressure to 7"
- Maximum Temperature 275° F
- Generates Low Wake Turbulence for Low Noise Emission
- Fans Tested in Accordance with AMCA 210-07 for Air Performance
- Fans Tested in Accordance with AMCA 300-05 for Sound Performance

## NOMENCLATURE

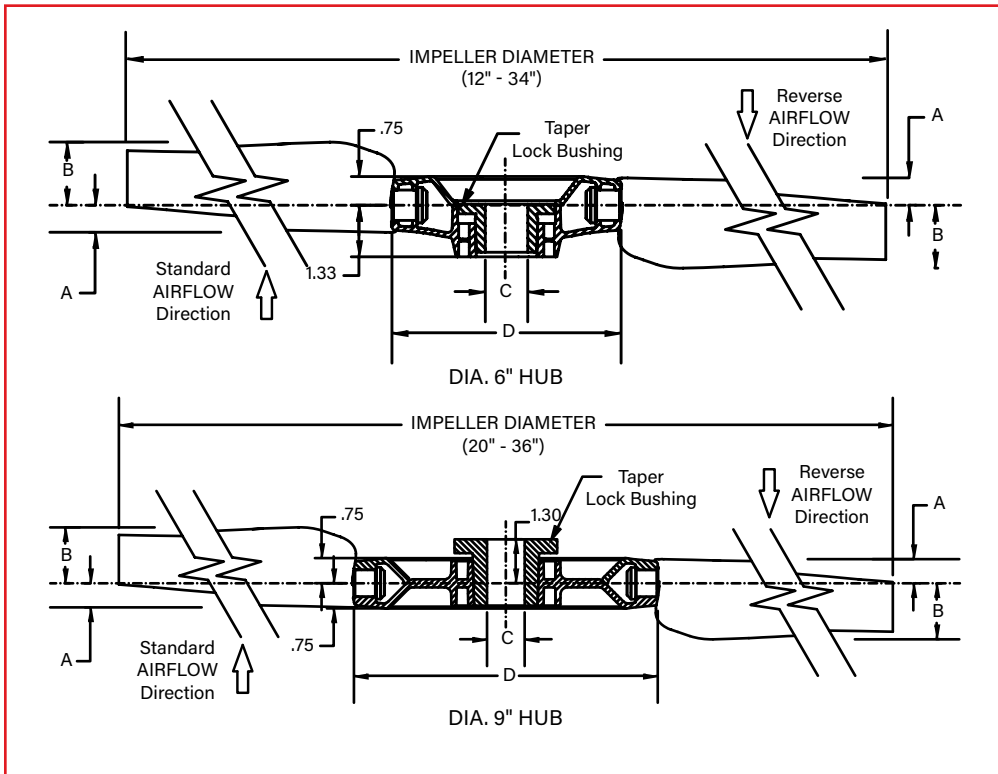
BSA - Backswept Aluminum      **12 B 1 10**  
 BSP - Backswept Polypropylene  
 Impeller Diameter \_\_\_\_\_  
 Backswept \_\_\_\_\_  
 Hub Size \_\_\_\_\_  
 No. of Blades \_\_\_\_\_

### Hub Size

- 1 – 6"
- 2 – 9"
- 3 – 10"
- 4 – 14"

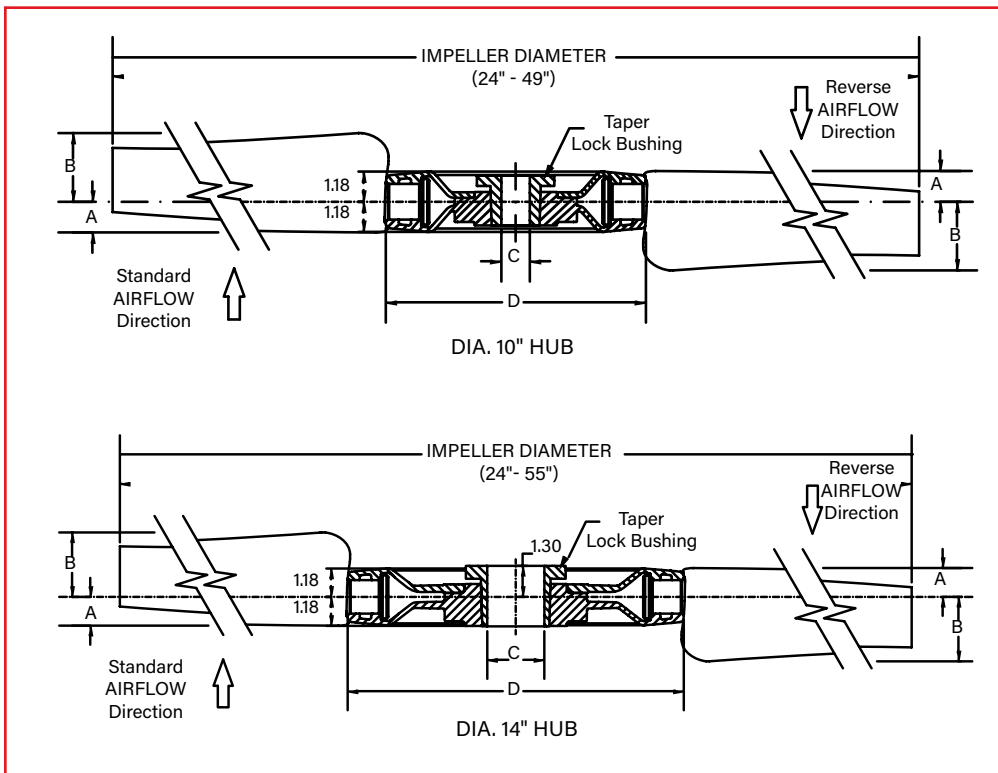


## IMPELLER DIA. 12"- 36" HUB DIA. 6" & 9"



| Hub Size           | Max. Bore C | Hub Dia., D |
|--------------------|-------------|-------------|
| 6"                 | 1.50"       | 5.90"       |
| 9"                 | 1.69"       | 8.85"       |
| <b>Pitch Angle</b> |             |             |
| 15 degrees         | .39"        | 1.18"       |
| 20 degrees         | .59"        | 1.49"       |
| 25 degrees         | .70"        | 1.65"       |
| 30 degrees         | .86"        | 1.77"       |
| 35 degrees         | .98"        | 1.82"       |
| 40 degrees         | 1.10"       | 2.00"       |

## IMPELLER DIA. 24"- 55" HUB DIA. 10" & 14"



| Hub Size           | Max. Bore C | Hub Dia., D |
|--------------------|-------------|-------------|
| 10"                | 1.69"       | 10.03"      |
| 14"                | 2.69"       | 13.77"      |
| <b>Pitch Angle</b> |             |             |
| 15 degrees         | .82"        | 1.49"       |
| 20 degrees         | .82"        | 1.77"       |
| 25 degrees         | .82"        | 2.00"       |
| 30 degrees         | .86"        | 2.24"       |
| 35 degrees         | 1.02"       | 2.48"       |
| 40 degrees         | 1.22"       | 2.67"       |

# IMPELLER OPTIONS

| Hub Size | No. of Blades | Impeller Dia. Range |
|----------|---------------|---------------------|
| 6"       | 5 & 10        | 12" to 34"          |
| 9"       | 3, 6, 9 & 12  | 20" to 36"          |
| 10"      | 2, 3, 4 & 6   | 24" to 49"          |
| 14"      | 3, 6, 9 & 12  | 24" to 55"          |

12 - 34"



6" Hub (5 blades)



6" Hub (10 blades)

20 - 36"



9" Hub (3 blades)



9" Hub (6 blades)



9" Hub (9 blades)



9" Hub (12 blades)

24 - 49"



10" Hub (2 blades)



10" Hub (3 blades)



10" Hub (4 blades)



10" Hub (6 blades)

24 - 55"



14" Hub (3 blades)



14" Hub (6 blades)



14" Hub (9 blades)



14" Hub (12 blades)



©2008-2024 Aerovent, Minneapolis, MN. All rights reserved. Catalog illustrations cover the general appearance of Aerovent products at the time of publication and we reserve the right to make changes in design and construction at any time without notice.