

## Quick Ship Program

Products shipping in as little as **48 Hours**



## >> Program Overview

Aerovent stocks a large number of products for quick shipment, so your tight project deadlines can be met and downtime on replacement work can be held to a minimum. Many stock products are ready to ship within 48 hours from our distribution center in South Dakota, and many other products are available in Quick Ship times of 5, 10 and 15 days.

Contact your local sales representative for expedite availability beyond this Quick Ship Program.



Fan Type	48-hour	5-day	10-Day	15-day
Centrifugal Roof & Wall Exhausters	✓	✓	✓	✓
Square Inline Centrifugal Fans	-	✓	✓	✓
Utility Blowers	-	✓	✓	-
Pressure Blowers (Cast Aluminum)	-	✓	✓	-

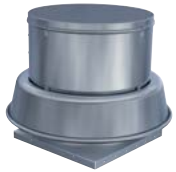
### Aerovent's Quick Ship Program Features Include:

- Complete testing of all units prior to shipment to verify operation and ensure quality.
- Many options and accessories are available as part of the Quick Ship Program.
- AMCA licensing of most units.
- UL and/or CSA listing on most stock units to ensure code compliance.



## >> Available Models

### Centrifugal Roof & Wall Exhausters



Roof Exhaust, Downblast, Direct Drive – ACXD .....	4
Roof Exhaust, Downblast, Belt Driven – ACX.....	5
Roof Exhaust, Upblast, Direct Drive – ATD .....	6
Roof Exhaust, Upblast, Restaurant, Direct Drive – ATDR .....	6
Roof Exhaust, Upblast, Belt Driven – ATB.....	7
Roof Exhaust, Upblast, Restaurant, Belt Driven – ATBR.....	7
Wall Exhaust, Direct Drive – ATDW .....	8
Wall Exhaust, Direct Drive, Restaurant – ATDWR .....	8
Wall Exhaust, Belt Driven – AWX.....	9
Wall Exhaust, Belt Driven, Restaurant – AWXR.....	9
Accessories .....	10



### Square Inline Centrifugal Fans

Square Inline Centrifugal, Direct Drive – SCDD.....	11
Square Inline Centrifugal, Belt Driven – SCBD.....	12
Accessories .....	13



### Utility Blowers

Backward Inclined and Airfoil – BIUB/BIUBR/BIUBSH/BAUB.....	14
Accessories .....	15

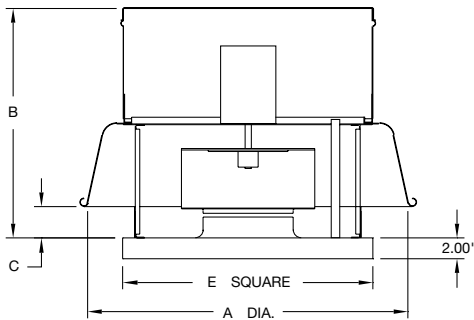
### Pressure Blowers



Cast Aluminum Blower, Direct Drive – CA.....	16
Accessories .....	16

### Motor Availability

Utility Blowers, Pressure Blower .....	17
--	----



### APPLICATION

Designed specifically for roof mounted applications, exhausting relatively clean air. Fans feature high efficiency, non-overloading, backward inclined centrifugal wheels precisely matched to a deep spun venturi.

### SIZES

> 8" to 19.75" wheel diameters

### PERFORMANCE

> Airflow to 5,020 CFM  
> Static pressure to 1" w.g.

### LITERATURE (Available at [www.aerovent.com](http://www.aerovent.com))

> Catalog 102  
> Installation & Maintenance Manual: IM-121

### ACCESSORIES

> See page 10.

SIZE	HP	RPM	AVAILABILITY <sup>1</sup>					FAN DIMENSIONS					
			ODP 115V <sup>3,5</sup>		ODP <sup>4,5</sup>		OTHER <sup>5</sup>	EC-ODP 115V <sup>6</sup>		A	B	C	E
			48-HOUR	5-DAY	5-DAY	10-DAY	10-DAY	5-DAY	10-DAY				
060B	1/8	1650 <sup>2</sup>	✓	✓	✓	—	—	18.50	15.63	2.06	17.00		
060BE	1/4	1800	—	—	—	✓	✓	18.50	15.63	2.06	17.00		
070B	1/8	1650 <sup>2</sup>	✓	✓	✓	—	—	18.50	15.63	2.06	17.00		
070BE	1/4	1800	—	—	—	✓	✓	18.50	15.63	2.06	17.00		
080B	1/8	1650 <sup>2</sup>	✓	✓	✓	—	—	18.50	15.63	2.06	17.00		
080BE	1/4	1800	—	—	—	✓	✓	18.50	15.63	2.06	17.00		
085B	1/8	1650 <sup>2</sup>	✓	✓	✓	—	—	21.00	19.31	2.63	17.00		
085BE	1/4	1800	—	—	—	✓	✓	21.00	19.31	2.63	17.00		
090B	1/8	1650 <sup>2</sup>	✓	✓	✓	—	—	21.00	19.31	2.63	17.00		
090BE	1/4	1800	—	—	—	✓	✓	21.00	19.31	2.63	17.00		
095B	1/8	1650 <sup>2</sup>	✓	✓	✓	—	—	21.00	19.31	2.63	17.00		
095BE	1/4	1800	—	—	—	✓	✓	21.00	19.31	2.63	17.00		
100B	1/3	1725	✓	✓	✓	—	—	21.00	17.31	2.63	17.00		
	1/8	1140	✓	✓	✓	—	—						
	1/15	860	✓	✓	✓	—	—						
100BE	1/4	1800	—	—	—	✓	✓	21.00	17.31	2.63	17.00		
120B	1/3	1725	✓	✓	✓	—	—	27.88	22.38	3.63	20.00		
	1/8	1140	✓	✓	✓	—	—						
	1/15	860	✓	✓	✓	—	—						
120BE	1/2	1800	—	—	—	✓	✓	27.88	22.38	3.63	20.00		
130B	1/2	1725	✓	✓	✓	—	—	27.88	23.25	4.44	24.00		
	1/4	1140	✓	✓	✓	—	—						
	1/8	860	✓	✓	✓	—	—						
130BE	3/4	1800	—	—	—	✓	✓	27.88	23.25	4.44	24.00		
140B	1/4	1140	✓	✓	✓	—	—	27.88	23.50	4.69	24.00		
	1/8	860	✓	✓	✓	—	—						
150B	1/4	1140	✓	✓	✓	—	—	31.06	26.75	4.63	24.00		
	1/8	860	✓	✓	✓	—	—						
160B	1/2	1140	✓	✓	✓	—	—	31.06	27.25	5.19	24.00		
	1/4	860	✓	✓	✓	—	—						
170B	1/2	1140	✓	✓	✓	—	—	39.63	29.25	4.06	30.00		
	1/4	860	✓	✓	✓	—	—						
180B	1	1140	✓	✓	✓	—	—	39.63	30.25	5.06	30.00		
	1/2	860	✓	✓	✓	—	—						

#### NOTES:

1. Availability is in working days.
2. Three Speed Motor. 1500 RPM (Stock Type A) and 1350 RPM (Stock Type B) motors available on 48-Hour, 5-Day and 10-Day ship.
3. All ODP 115V 1Ø motor options are Speed Controllable.
4. ODP 1Ø 208-230V, 3Ø and TE motors available on 5-Day ship.
5. Thermal overload motors are exempt from Quick Ship.
6. Remote mounted speed dial is not available.



**APPLICATION**

Designed for roof mounted exhaust of relatively clean air in a wide variety of roof exhaust applications.

**SIZES**

> 8.5" to 50.0" wheel diameters

**PERFORMANCE**

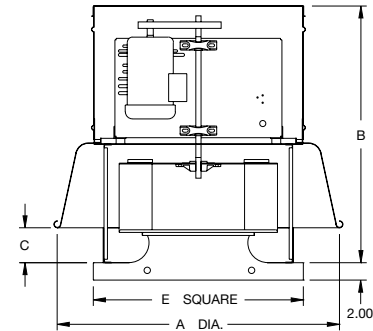
> Airflow to 28,700 CFM  
> Static pressure to 3.25" w.g.

**LITERATURE** (Available at [www.aerovent.com](http://www.aerovent.com))

> Catalog 102  
> Installation & Maintenance Manual: IM-121

**ACCESSORIES**

> See page 10.



**NOTES:**

1. Availability is in working days.
2. ODP 1Ø 208-230V and 3Ø motors available on 5-Day ship.
3. TEFC, Two-Speed and EXP motors available on 10-Day ship.

SIZE	HP	RPM RANGE	AVAILABILITY <sup>1</sup>			FAN DIMENSIONS			
			ODP 115V	ODP <sup>2</sup>	OTHER <sup>3</sup>	A	B	C	E
			48-HOUR	5-DAY	10-DAY				
070D	1/4	1120-1547	✓	✓	✓	25.88	22.13	2.06	17.00
		1548-2156	✓	✓	✓				
		other	✓	✓	✓				
075D	1/4	965-1438	✓	✓	✓	25.88	22.13	2.06	17.00
		1439-1941	✓	✓	✓				
		other	✓	✓	✓				
085D	1/4	1204-1656	✓	✓	✓	27.88	23.94	2.38	17.00
		1657-2329	✓	✓	✓				
		other	✓	✓	✓				
100D	1/4	754-1119	✓	✓	✓	27.88	23.94	2.38	20.00
	1/3	1120-1556	✓	✓	✓				
		1212-1678	✓	✓	✓				
100DHP	1/4	other	✓	✓	✓	27.88	23.94	2.38	20.00
		1104-1656	✓	✓	✓				
		1657-2329	✓	✓	✓				
120D	1/4	1725-2546	✓	✓	✓	30.44	28.13	2.56	20.00
		all	✓	✓	✓				
		718-950	✓	✓	✓				
140D	1/4	951-1331	✓	✓	✓	30.44	28.25	2.81	24.00
		803-1131	✓	✓	✓				
		915-1267	✓	✓	✓				
140DHP	1/4	1019-1411	✓	✓	✓	30.44	28.25	2.81	24.00
		all	✓	✓	✓				
		other	✓	✓	✓				
160D	1/4	965-1448	✓	✓	✓	32.63	29.00	3.38	26.00
		1449-2070	✓	✓	✓				
		all	✓	✓	✓				
160DHP	1/4	all	✓	✓	✓	32.63	29.00	3.38	26.00
		460-683	✓	✓	✓				
		684-950	✓	✓	✓				
180D	1/3	704-1056	✓	✓	✓	38.38	33.88	3.75	30.00
		863-1194	✓	✓	✓				
		other	✓	✓	✓				
180DHP	1/3	570-842	✓	✓	✓	38.38	33.88	3.75	30.00
		all	✓	✓	✓				
		other	✓	✓	✓				
210D	all	all	✓	✓	✓	38.38	34.06	4.00	30.00
		all	✓	✓	✓				
		all	✓	✓	✓				
240D	all	all	✓	✓	✓	43.13	35.88	4.88	34.00
		all	✓	✓	✓				
		all	✓	✓	✓				
300D	all	all	—	✓	✓	51.38	38.88	4.88	40.00
		all	—	✓	✓				
		all	—	✓	✓				
360D	all	all	—	✓	✓	60.75	44.38	6.88	46.00
		all	—	✓	✓				
		all	—	✓	✓				
420D	all	all	—	✓	✓	65.81	47.81	7.00	52.00
		all	—	✓	✓				
		all	—	✓	✓				
480D	all	all	—	✓	✓	74.06	50.25	7.75	58.00
		all	—	✓	✓				
		all	—	✓	✓				

### APPLICATION

**General Exhaust** – The ATD is designed for roof mounted exhaust of relatively clean air in applications where it is desirable to move the exhausted air up and away from the building.

**Kitchen Exhaust** – The ATDR is similar to the ATD, but is specifically designed for exhausting grease-laden air from kitchens, restaurants, cooking and dishwasher hoods. Model ATDR is cULus 762 listed for the exhaust of grease-laden air.

### SIZES

> 8.38" to 18.25" wheel diameters

### PERFORMANCE

> Airflow to 3,865 CFM  
> Static pressure to 1.5" w.g.

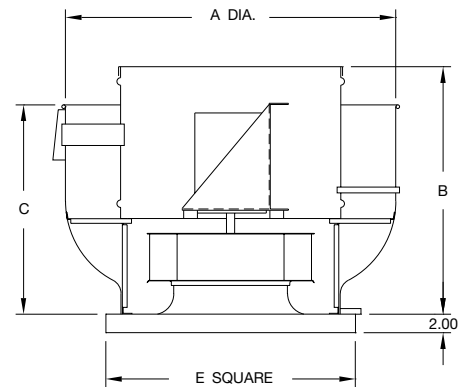
### LITERATURE

(Available at [www.aerovent.com](http://www.aerovent.com))

> Catalog 102  
> Installation & Maintenance Manual: IM-121

### ACCESSORIES

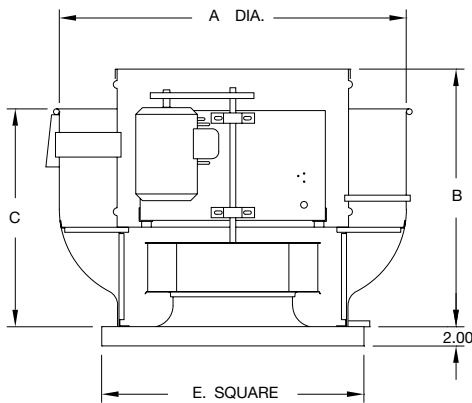
> See page 10.



SIZE	HP	RPM	AVAILABILITY <sup>1</sup>					FAN DIMENSIONS			
			ODP 115V <sup>3,4</sup>	ODP <sup>2,4</sup>	OTHER <sup>4</sup>	EC-ODP 115V <sup>5</sup>		A	B	C	E
			48-HOUR	5-DAY	10-DAY	5-DAY	10-DAY				
071B	1/8	860	✓	✓	✓	—	—	22.00	24.44	18.00	17.00
072B		1160	✓	✓	✓	—	—				
073B		1650	✓	✓	✓	—	—				
073BE	1/4	1800	—	—	—	✓	✓				
081B	1/8	860	✓	✓	✓	—	—	22.00	24.44	18.00	17.00
082B		1160	✓	✓	✓	—	—				
083B		1750	✓	✓	✓	—	—				
083BE	1/4	1800	—	—	—	✓	✓				
091B	1/8	860	✓	✓	✓	—	—	22.00	26.13	18.00	20.00
092B		1160	✓	✓	✓	—	—				
093B		1750	✓	✓	✓	—	—				
093BE	1/4	1800	—	—	—	✓	✓				
110B	all	all	✓	✓	✓	—	—	30.00	28.31	28.00	24.00
110BE	1/2	1800	—	—	—	✓	✓				
120B	all	all	✓	✓	✓	—	—	30.00	27.19	28.00	24.00
120BE	3/4	1800	—	—	—	✓	✓				
140B	all	all	✓	✓	✓	—	—	30.00	27.69	28.00	24.00
140BE	1	1800	—	—	—	✓	✓				
160B	all	all	✓	✓	✓	—	—	30.00	29.81	28.00	24.00
160BE	1	1200	—	—	—	✓	✓				
180B	all	all	✓	✓	✓	—	—	36.00	29.19	30.00	30.00
180BE	1	1200	—	—	—	✓	✓				

#### NOTES:

1. Availability is in working days.
2. ODP 1Ø 208-230V and ODP 3Ø 208-230, 460V motors available on 5-Day ship.
3. All ODP 115V 1Ø motor options are Speed Controllable.
4. Thermal overload motors are exempt from Quick Ship.
5. Remote mounted speed dial is not available.



### APPLICATION

**General Exhaust** – The ATB is designed for roof mounted exhaust of relatively clean air in applications where it is desirable to move the exhausted air up and away from the building.

**Kitchen Exhaust** – The ATBR is similar to the ATB, but is specifically designed for exhausting grease-laden air from kitchens, restaurants, cooking and dishwasher hoods. Model ATBR is cULus 762 listed for the exhaust of grease-laden air.

### SIZES

- > ATB – 12.25" to 50.0" wheel diameters
- > ATBR – 12.25" to 39.75" wheel diameters

### PERFORMANCE

- > ATB: Airflow to 29,100 CFM  
Static pressure to 3.25" w.g.
- > ATBR: Airflow to 17,400 CFM  
Static pressure to 3.25" w.g.

### LITERATURE (Available at [www.aerovent.com](http://www.aerovent.com))

- > Catalog 102
- > Installation & Maintenance Manual: IM-121

### ACCESSORIES

- > See page 10.

SIZE	HP	RPM RANGE	AVAILABILITY <sup>1</sup>			FAN DIMENSIONS			
			ODP 115V	ODP <sup>2</sup>	Other <sup>3</sup>	A	B	C	E
			48-HOUR	5-DAY	10-DAY				
110B	1/4	789-1141	✓	✓	✓	30.00	28.56	28.00	24.00
		1142-1556	✓	✓	✓				
	1/3	1150-1725	✓	✓	✓				
	all	other	✓	✓	✓				
120B	1/4	633-941	✓	✓	✓	30.00	27.19	28.00	24.00
		942-1310	✓	✓	✓				
	1/3	1068-1478	✓	✓	✓				
	all	other	✓	✓	✓				
140B	1/4	831-1150	✓	✓	✓	30.00	27.68	28.00	24.00
	all	other	✓	✓	✓				
140BHP	all	all	✓	✓	✓	30.00	28.56	28.00	24.00
160B	all	all	✓	✓	✓				
160BMP	all	all	✓	✓	✓				
160BHP	all	all	✓	✓	✓				
180B	all	all	✓	✓	✓	36.00	32.31	30.00	30.00
180BMP	all	all	✓	✓	✓				
180BHP	all	all	✓	✓	✓				
210B	all	all	✓	✓	✓	45.00	35.61	28.25	34.00
210BHP	all	all	✓	✓	✓				
240B	all	all	✓	✓	✓	45.00	37.56	28.25	34.00
240BHP	all	all	✓	✓	✓				
300B	all	all	—	✓	✓	54.00	38.25	31.00	40.00
300BHP	all	all	—	✓	✓				
360B	all	all	—	✓	✓	63.00	43.88	34.00	46.00
360BHP	all	all	—	✓	✓				
420B	all	all	—	✓	✓	69.00	46.75	36.00	52.00
480B	all	all	—	✓	✓	75.00	49.13	39.00	58.00

#### NOTES:

1. Availability is in working days.
2. ODP 1Ø 208-230V and ODP 3Ø motors available on 5-Day ship.
3. TEFC, Two-Speed and EXP motors available on 10-Day ship.
4. ATBR is available in sizes 110 through 360 HP.

# ATDW / ATDWR

Wall Exhaust, Centrifugal, Direct Drive



## APPLICATION

**General Exhaust** – The ATDW is designed for exhaust of relatively clean air in a wall mounted, horizontal application.

**Kitchen Exhaust** – The ATDWR is similar to the ATDW, but is specifically designed for exhausting grease-laden air from kitchens, restaurants, cooking and dishwasher hoods. Model ATDWR is cULus 762 listed for the exhaust of grease-laden air.

## SIZES

> 8.38" to 18.25" wheel diameters

## PERFORMANCE

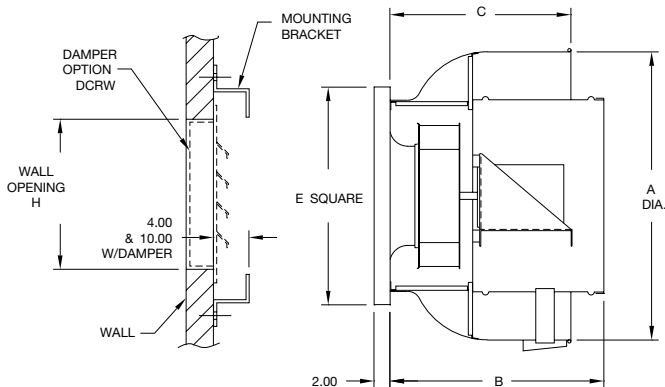
> Airflow to 3,865 CFM  
> Static pressure to 1.5" w.g.

## LITERATURE (Available at [www.aerovent.com](http://www.aerovent.com))

> Catalog 102  
> Installation & Maintenance Manual: IM-121

## ACCESSORIES

> See page 10.



SIZE	HP	RPM	AVAILABILITY <sup>1</sup>					FAN DIMENSIONS						
			ODP 115V <sup>3,4</sup>		ODP 2,4		OTHER <sup>4</sup>	EC-ODP 115V <sup>5</sup>		A	B	C	E	H SQ.
			48-HOUR	5-DAY	5-DAY	10-DAY	10-DAY	5-DAY	10-DAY					
071B	1/8	860	✓	✓	✓	—	—	22.00	24.44	18.00	17.00	10.50		
072B		1160	✓	✓	✓	—	—							
073B		1650	✓	✓	✓	—	—							
073BE	1/4	1800	—	—	—	✓	✓	22.00	24.44	18.00	17.00	10.50		
081B	1/8	860	✓	✓	✓	—	—							
082B		1160	✓	✓	✓	—	—							
083B		1/3	1750	✓	✓	✓	—	—						
083BE	1/4	1800	—	—	—	✓	✓	22.00	26.13	18.00	20.00	14.50		
091B	1/8	860	✓	✓	✓	—	—							
092B		1160	✓	✓	✓	—	—							
093B		1/3	1750	✓	✓	✓	—	—						
093BE	1/4	1800	—	—	—	✓	✓	30.00	28.31	28.00	24.00	17.50		
110B	all	all	✓	✓	✓	—	—							
110BE	1/2	1800	—	—	—	✓	✓							
120B	all	all	✓	✓	✓	—	—	30.00	27.19	28.00	24.00	17.50		
120BE	3/4	1800	—	—	—	✓	✓							
140B	all	all	✓	✓	✓	—	—	30.00	27.69	28.00	24.00	17.50		
140BE	1	1800	—	—	—	✓	✓							
160B	all	all	✓	✓	✓	—	—	30.00	29.81	28.00	24.00	17.50		
160BE	1	1200	—	—	—	✓	✓							
180B	all	all	✓	✓	✓	—	—	36.00	29.19	30.00	30.00	24.50		
180BE	1	1200	—	—	—	✓	✓							

### NOTES:

1. Availability is in working days.
2. ODP 1Ø 208-230V and ODP 3Ø 208-230, 460V motors available on 5-Day ship.
3. All ODP 115V 1Ø motor options are Speed Controllable.
4. Thermal overload motors are exempt from Quick Ship.
5. Remote mounted speed dial is not available.



## APPLICATION

**General Exhaust** – The AWX is designed for exhaust of relatively clean air in a wall mounted, horizontal application.

**Kitchen Exhaust** – The AWXR is similar to the AWX, but is specifically designed for exhausting grease-laden air from kitchens, restaurants, cooking and dishwasher hoods. Model AWXR is cULus 762 listed for the exhaust of grease-laden air.

## SIZES

- > 12.25" to 31.75" wheel diameters

## PERFORMANCE

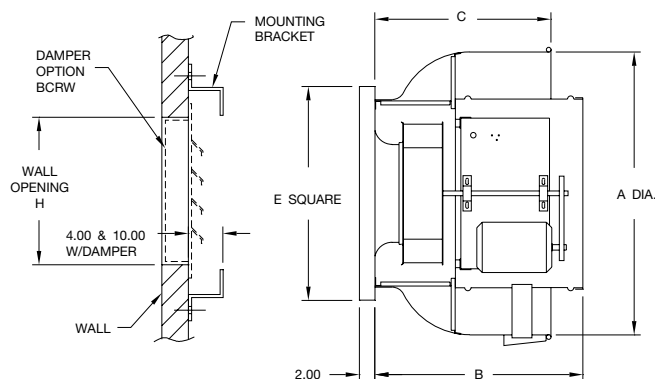
- > Airflow to 11,600 CFM
- > Static pressure to 3.25" w.g.

## LITERATURE (Available at [www.aerovent.com](http://www.aerovent.com))

- > Catalog 102
- > Installation & Maintenance Manual: IM-121

## ACCESSORIES

- > See page 10.



SIZE	HP	AVAILABILITY <sup>1</sup>			FAN DIMENSIONS				
		ODP 115V	ODP <sup>2</sup>	Other <sup>3</sup>	A	B	C	E	H SQ.
		48-HOUR	5-DAY	10-DAY					
110B	all	✓	✓	✓	30.00	28.56	28.00	24.00	17.50
120B	all	✓	✓	✓	30.00	27.19	28.00	24.00	17.50
140B	all	✓	✓	✓	30.00	27.68	28.00	24.00	17.50
140BHP	all	✓	✓	✓		28.56			
160B	all	✓	✓	✓	30.00	29.81	28.00	24.00	17.50
160BMP	all	✓	✓	✓		28.44			
160BHP	all	✓	✓	✓		27.68			
180B	all	✓	✓	✓	36.00	32.31	30.00	30.00	24.50
180BMP	all	✓	✓	✓		29.19			
180BHP	all	✓	✓	✓		31.00			
210B	all	✓	✓	✓	45.00	35.61	28.25	34.00	27.50
210BHP	all	✓	✓	✓		32.94			
240B	all	✓	✓	✓	45.00	37.56	28.25	34.00	27.50
240BHP	all	✓	✓	✓		34.31			
300B	all	—	✓	✓	54.00	38.25	31.00	40.00	34.50
300BHP	all	—	✓	✓		34.88			

## NOTES:

1. Availability is in working days.
2. ODP 1Ø 208-230V and ODP 3Ø motors available on 5-Day ship.
3. TEFC, Two-Speed and EXP motors available on 10-Day ship.

### >> Models: ACXD, ACX, ATD, ATDR, ATB, ATBR, ATDWR, AWX, AWXR

ACXD, ACX, ATD, ATB FAN ACCESSORIES		AVAILABILITY <sup>1</sup>			
		48-HOUR	5-DAY	10-DAY	15-DAY
Roof Curbs <sup>2</sup>	12" Galv. Canted	✓	✓	✓	✓
	12" Galv. Self-Flashing	✓	✓	✓	✓
Backdraft Dampers	Gravity	✓	✓	✓	✓
	Motorized	✓	✓	✓	✓
Aluminum Nameplate		✓	✓	✓	✓
Curb Hinge <sup>4</sup>		✓	✓	✓	✓
Retaining Chain		✓	✓	✓	✓
Security Hasp		✓	✓	✓	✓
Speed Control (for direct drive fans only)		✓ <sup>3</sup>	✓	✓	✓
NEMA 1 Disconnect Switch <sup>3</sup>		✓	✓	✓	✓
NEMA 3R Disconnect Switch <sup>3</sup>		✓	✓	✓	✓
NEMA 4 Disconnect Switch <sup>3</sup>		✓	✓	✓	✓
Stainless Steel Shaft		—	—	✓	✓
Two-Speed Switch <sup>3</sup> (for belt driven fans only)		—	—	✓	✓
Firestat <sup>3</sup>		—	—	✓	✓
Aluminum Birdscreen		—	✓	✓	✓
Insect Screen (Aluminum)		—	✓	✓	✓
Coatings	Enamel, Air-dried (Gray)	—	—	✓	✓
	Epoxy, Air-dried (Black)	—	—	—	✓
	Phenolic Heresite, Air-dried (Gray)	—	—	—	✓

#### NOTES:

1. Availability is in working days.
2. Roof curbs will ship with fan(s) on Quick Ship Program.
3. Shipped loose for field mount.
4. Curb hinge is for use with canted curbs only. (Will work with self-flashing ATBR and ATDR curbs.)

ATDR, ATBR FAN ACCESSORIES		AVAILABILITY <sup>1</sup>			
		48-HOUR	5-DAY	10-DAY	15-DAY
Roof Curbs <sup>2</sup>	12" Galv. SF, Vented	✓	✓	✓	✓
Grease Box and Drain		✓	✓	✓	✓
Aluminum Nameplate		✓	✓	✓	✓
Curb Hinge		✓	✓	✓	✓
Retaining Chain		✓	✓	✓	✓
Security Hasp		✓	✓	✓	✓
Speed Control (for direct drive fans only)		✓ <sup>3</sup>	✓	✓	✓
NEMA 1 Disconnect Switch <sup>3</sup>		✓	✓	✓	✓
NEMA 3R Disconnect Switch <sup>3</sup>		✓	✓	✓	✓
NEMA 4 Disconnect Switch <sup>3</sup>		✓	✓	✓	✓
Stainless Steel Shaft		—	—	✓	✓
Two-Speed Switch <sup>3</sup> (for belt driven fans only)		—	—	✓	✓
Firestat <sup>3</sup>		—	—	✓	✓
Coatings	Enamel, Air-dried (Gray)	—	—	✓	✓
	Epoxy, Air-dried (Black)	—	—	—	✓
	Phenolic Heresite, Air-dried (Gray)	—	—	—	✓

ATDW, AWX FAN ACCESSORIES		AVAILABILITY <sup>1</sup>			
		48-HOUR	5-DAY	10-DAY	15-DAY
Backdraft Dampers	Gravity	✓	✓	✓	✓
	Motorized	✓	✓	✓	✓
Aluminum Nameplate		✓	✓	✓	✓
Speed Control (for direct drive fans only)		✓ <sup>3</sup>	✓	✓	✓
NEMA 1 Disconnect Switch <sup>3</sup>		✓	✓	✓	✓
NEMA 3R Disconnect Switch <sup>3</sup>		✓	✓	✓	✓
NEMA 4 Disconnect Switch <sup>3</sup>		✓	✓	✓	✓
Stainless Steel Shaft		—	—	✓	✓
Two-Speed Switch <sup>3</sup> (for belt driven fans only)		—	—	✓	✓
Firestat <sup>3</sup>		—	—	✓	✓
Insect Screen		—	✓	✓	✓
Coatings	Enamel, Air-dried (Gray)	—	—	✓	✓
	Epoxy, Air-dried (Black)	—	—	—	✓
	Phenolic Heresite, Air-dried (Gray)	—	—	—	✓

ATDWR, AWXR FAN ACCESSORIES		AVAILABILITY <sup>1</sup>			
		48-HOUR	5-DAY	10-DAY	15-DAY
Aluminum Nameplate		✓	✓	✓	✓
Speed Control (for direct drive fans only)		✓ <sup>3</sup>	✓	✓	✓
NEMA 1 Disconnect Switch <sup>3</sup>		✓	✓	✓	✓
NEMA 3R Disconnect Switch <sup>3</sup>		✓	✓	✓	✓
NEMA 4 Disconnect Switch <sup>3</sup>		✓	✓	✓	✓
Stainless Steel Shaft		—	—	✓	✓
Firestat <sup>3</sup>		—	—	✓	✓
Coatings	Enamel, Air-dried (Gray)	—	—	✓	✓
	Epoxy, Air-dried (Black)	—	—	—	✓
	Phenolic Heresite, Air-dried (Gray)	—	—	—	✓

## APPLICATION

Specifically designed for duct applications handling relatively clean air, including supply, exhaust and return air systems. SCDD fans offer high efficiency and quiet operation in a compact design that can be mounted in any position (horizontal, vertical or angular). Duct collars are provided for easy mounting without the need for square to round duct transitions.

## SIZES

> 10.5" to 18.25" wheel diameters

## PERFORMANCE

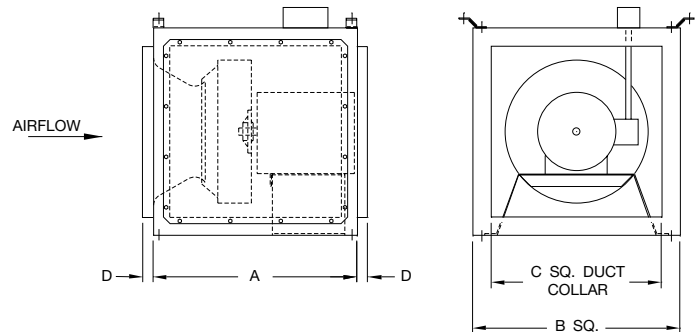
> Airflow to 5,900 CFM  
> Static pressure to 2" w.g.

## LITERATURE (Available at [www.aerovent.com](http://www.aerovent.com))

> Catalog 340  
> Installation & Maintenance Manual: IM-167

## ACCESSORIES

> See page 13.



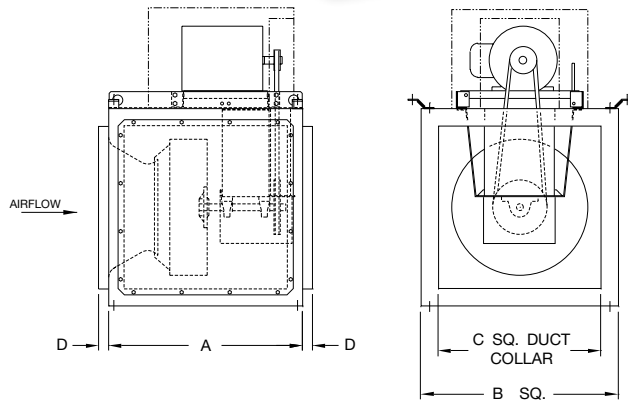
SIZE	HP	RPM	AVAILABILITY <sup>1</sup>					FAN DIMENSIONS				
			ODP 115V <sup>2</sup>		Other <sup>3,4</sup>		EC-ODP 115V <sup>5</sup>		A	B	C	D
			48-HOUR	5-DAY	10-DAY	5-DAY	10-DAY					
080A	all	all	—	✓	✓	—	—	19.00	15.33	11.88	1.00	
080AE	1/4	1800	—	—	—	✓	✓					
090A	all	all	—	✓	✓	—	—	19.00	15.33	11.88	1.00	
090AE	1/4	1800	—	—	—	✓	✓					
100A	all	all	—	✓	✓	—	—	20.50	17.81	13.88	1.00	
100AE	1/2	1800	—	—	—	✓	✓					
120A	all	all	—	✓	✓	—	—	21.50	19.35	15.88	1.00	
120AE	3/4	1800	—	—	—	✓	✓					
135A	all	all	—	✓	✓	—	—	23.00	21.56	17.88	1.00	
135AE	3/4	1800	—	—	—	✓	✓					
135AN	all	all	—	✓	✓	—	—					
135ANE	1	1800	—	—	—	✓	✓					
150A	all	all	—	✓	✓	—	—	24.00	23.82	19.88	1.00	
150AE	1	1800	—	—	—	✓	✓					
150AN	all	all	—	✓	✓	—	—					
150ANE	1	1200	—	—	—	✓	✓					
165A	all	all	—	✓	✓	—	—	26.00	26.50	22.88	1.00	
165AE	1	1200	—	—	—	✓	✓					
165AN	all	all	—	✓	✓	—	—					
165ANE	1	1200	—	—	—	✓	✓					

## NOTES:

1. Availability is in working days.
2. ODP 115V/208-230 motors available on 5-Day ship.
3. TE and EXP motors available on 10-Day ship.
4. Thermal overload motors are exempt from Quick Ship.
5. Remote mounted speed dial is not available.

# SCBD

Square Inline Centrifugal, Belt Driven



## APPLICATION

Specifically designed for duct applications handling relatively clean air, including supply, exhaust and return air systems. SCBD fans offer high efficiency and quiet operation in a compact design that can be mounted in any position (horizontal, vertical or angular). Duct collars are provided for easy mounting without the need for square to round duct transitions.

## SIZES

> 10.5" to 44.5" wheel diameters

## PERFORMANCE

> Airflow to 27,400 CFM  
> Static pressure to 3.5" w.g.

## LITERATURE (Available at [www.aerovent.com](http://www.aerovent.com))

> Catalog 340  
> Installation & Maintenance Manual: IM-167

## ACCESSORIES

> See page 13.

### NOTES:

1. Availability is in working days.
2. ODP motors available on 5-Day ship.
3. TEFC, Two-Speed and EXP motors available on 10-Day ship.
4. Fan sizes marked with an "I" (080AI) designate units with neoprene insulation.
5. Thermal overload motors are exempt from Quick Ship.
6. ODP 1Ø motors 115V and 230V available on 5-Day ship.

SIZE	HP	AVAILABILITY <sup>1</sup>		FAN DIMENSIONS			
		ODP <sup>2</sup>	Other <sup>3</sup>	A	B	C	D
		5-DAY	10-DAY				
080A	all	✓	✓	19.00	15.33	11.88	1.00
080AI <sup>4</sup>	all	—	✓				
090A	all	✓	✓	19.00	15.33	11.88	1.00
090AI <sup>4</sup>	all	—	✓				
100A	all	✓	✓	20.50	17.81	13.88	1.00
100AI <sup>4</sup>	all	—	✓				
120A	all	✓	✓	21.50	19.38	15.88	1.00
120AI <sup>4</sup>	all	—	✓				
120AHP	all	✓	✓				
135A	all	✓	✓	23.00	21.56	17.88	1.00
135AI <sup>4</sup>	all	—	✓				
135AHP	all	✓	✓				
150A	all	✓	✓	24.00	23.82	19.88	1.00
150AI <sup>4</sup>	all	—	✓				
150AHP	all	✓	✓				
165A	all	✓	✓	26.00	26.50	22.88	1.00
165AHP	all	✓	✓				
180A	all	✓	✓	28.50	29.00	23.88	1.50
180AHP	all	✓	✓				
210A	all	✓	✓	32.00	32.34	27.88	1.50
210AHP	all	✓	✓				
225A	all	✓	✓	34.00	34.00	29.88	1.50
225AHP	all	✓	✓				
245A	all	✓	✓	36.50	37.50	32.88	1.50
245AHP	all	✓	✓				
270A	all	✓	✓	39.00	40.13	35.88	1.50
270AHP	all	✓	✓				
300A	all	✓	✓	41.50	44.13	39.88	1.50
300AHP	all	✓	✓				
330A	all	✓	✓	45.50	48.81	43.88	1.50
330AHP	all	✓	✓				
365A	all	✓	✓	48.50	50.13	45.88	1.50
365AHP	all	✓	✓				
402A	all	✓	✓	52.00	55.25	51.88	1.50
402AHP	all	✓	✓				



Model SCDD



Model SCBD

### >> Models: SCDD, SCBD

SCDD, SCBD FAN ACCESSORIES		AVAILABILITY <sup>1</sup>			
		48-HOUR	5-DAY	10-DAY	15-Day
Belt Guard (SCBD)		—	✓	✓	✓
Motor Cover (SCBD)		—	✓	✓	✓
Side Discharge		—	✓	✓	✓
Inlet/Outlet Guard		—	✓	✓	✓
Extended Lubrication Lines (SCBD)		—	✓	✓	✓
Insulated Housing (Neoprene)		—	—	✓	✓
Backdraft Dampers	Gravity	—	✓	✓	✓
	Motorized	—	✓	✓	✓
Aluminum Construction		—	—	✓	✓
AMCA Spark 'B' (SCBD)		—	✓	✓	✓
Aluminum Namplate		—	✓	✓	✓
Speed Control (SCDD) <sup>2</sup>		—	✓	✓	✓
Stainless Steel Shaft		—	—	✓	✓
Two-Speed Switch <sup>2</sup>		—	✓	✓	✓
Vibration Isolators		—	✓	✓	✓
Filter Box		—	—	—	✓
Filter Box, Painted		—	—	—	✓
Coatings <sup>4</sup>	Enamel, Air-dried (Gray) <sup>4</sup>	—	—	✓	✓
	Epoxy Air-dried (Black)	—	—	—	✓
	Phenolic Heresite, A/d (Gray)	—	—	—	✓

**NOTES:**

1. Availability is in working days.
2. Shipped loose for field mount.
3. Coatings are for steel fans only.
4. Exterior only.



>> Quick Ship Program



# Utility Blowers

BIUB, BIUBR, BIUBSH (Backward Inclined), BAUB (Airfoil)

## APPLICATION

Specifically designed to supply and exhaust air in hospitals, hotels, schools, fume hoods, etc. Three wheel types are available: backward inclined (BIUB) and airfoil (BAUB). The BIUBR is specifically designed for exhausting grease-laden air from kitchens, restaurants, cooking and dishwasher hoods. The BIUBSH is UL listed for emergency smoke control systems.

## SIZES

- > BIUB/BIUBSH - 10.5" to 60" wheel diameters
- > BIUBR - 10.5" to 36.5" wheel diameters
- > BAUB - 12.25" to 36.5" wheel diameters

## PERFORMANCE

- > BIUB/BIUBSH - Airflow to 78,660 CFM  
Static pressure to 8" w.g.
- > BIUBR - Airflow to 29,100 CFM  
Static pressure to 8" w.g.  
Temperatures up to 300°F
- > BAUB - Airflow to 32,100 CFM  
Static pressure to 8" w.g.

## LITERATURE (Available at [www.aerovent.com](http://www.aerovent.com))

- > Catalog 760
- > Installation & Maintenance Manual: IM-140

## ACCESSORIES

- > See page 15.

## UL705/UL762/Smoke & Heat - BI Wheel Class 1, Belt Driven

BIUB - Backward Inclined Utility Set, UL 705 BIUBR - Backward Inclined Utility Set, UL 762 BIUBSH - Backward Inclined Utility Set, UL Smoke & Heat				
SIZE	UL TYPE	HP	AVAILABILITY <sup>1</sup> ODP/TEFC	
			5-DAY	10-DAY
105	U5/U2	all	—	✓
122	U5/U2/SH	all	—	✓
135	U5/U2/SH	all	—	✓
150	U5/U2/SH	all	—	✓
165	U5/U2/SH	all	—	✓
182	U5/U2/SH	all	—	✓
200	U5/U2/SH	all	—	✓
222	U5/U2/SH	all	—	✓
245	U5/U2/SH	all	—	✓
270	U5/U2/SH	all	—	✓
300	U5/U2/SH	all	—	✓
330	U5/U2/SH	all	—	✓
365	U5/U2/SH	all	—	✓

### NOTES:

1. Availability is in working days.



Model BIUB



Model BAUB

## BI/AF Wheel, Belt Driven

BIUB - Backward Inclined Utility Set BAUB - Airfoil Utility Set				
SIZE	CLASS	HP	AVAILABILITY <sup>1</sup> ODP/TEFC	
			5-DAY	10-DAY
90	I	all	✓	✓
105	I	all	✓	✓
122	I	all	✓	✓
	II	all	—	✓
135	I	all	✓	✓
	II	all	—	✓
150	I	all	✓	✓
	II	all	—	✓
165	I	all	✓	✓
	II	all	—	✓
182	I	all	✓	✓
	II	all	—	✓
200	I	all	✓	✓
	II	all	—	✓
222	I	all	✓	✓
	II	all	—	✓
245	I	all	✓	✓
	II	all	—	✓
270	I	all	✓	✓
	II	all	—	✓
300	I	all	—	✓
	II	all	—	✓
330	I	all	—	✓
	II	all	—	✓
365	I	all	—	✓
	II	all	—	✓



**Model BIUB**



**Model BAUB**

### >> Models: BIUB, BAUB

BIUB, BAUB FAN ACCESSORIES	AVAILABILITY <sup>1</sup>	
	5-DAY	10-DAY
Access Door - Bolted	✓	✓
Access Door - Quick Opening	✓	✓
Belt Guard - Std Type	✓	✓
Weather Cover (OSHA Belt Guard)	✓	✓
Drain Connection	✓	✓
Inlet Flange	✓	✓
Outlet Flange	✓	✓
Inlet Screen	✓	✓
Outlet Screen	—	✓
Shaft Seal	—	✓
AMCA Spark 'B' Construction	✓	✓
AMCA Spark 'C' Construction	✓	✓
High Temp Construction, 301-500°F (BIUB, FCUB only)	—	✓
High Temp Construction, 501-600°F <sup>2</sup> (BIUB, FCUB only)	—	✓
Gravity Shutter - Std Duty	✓	✓
Vibration Isolators, Pads or Hangers	✓	✓
Vibration Isolators, Rails	—	✓
NEMA-1 Disconnect Switch <sup>3</sup>	✓	✓
NEMA-3R Disconnect Switch <sup>3</sup>	✓	✓
Two-Groove Drive (Belt Driven Fans)	—	✓
Coatings	Epoxy, Air-dried	✓
	Phenolic, Air-dried	✓

**NOTES:**

1. Availability is in working days.
2. High Temp 501-600°F for CL II fans only.
3. Shipped loose for field mount.



### >> Quick Ship Program

## APPLICATION

Designed to provide low volume, high pressure air for cooling, ventilating and exhaust systems that handle dust, materials or corrosive fumes.

## SIZES

> 7" to 18" wheel diameters

## PERFORMANCE

> Airflow to 3,660 CFM  
> Static pressure to 22" w.g.

## LITERATURE (Available at [www.aerovent.com](http://www.aerovent.com))

> Catalog 916  
> Installation & Maintenance Manual: IM-140

## ACCESSORIES

> See below.



Model CA

## CA - ARR. 4, 4HI Direct Drive

Cast Aluminum Pressure Blower		
SIZE	AVAILABILITY <sup>1</sup>	
	5-DAY	10-DAY
8	✓	✓
9	✓	✓
10	✓	✓
12	✓	✓
14	✓	✓
15	✓	✓
18	✓	✓

### NOTES:

1. Availability is in working days.
2. ODP and TEFC motors are included on Quick Ship Program.

## >> Accessories - Model CA

CA - Cast Aluminum Pressure Blower		
FAN ACCESSORIES	AVAILABILITY <sup>1</sup>	
	5-DAY	10-DAY
Inlet Flange	✓	✓
Outlet Flange	✓	✓
Inlet Guard	✓	✓
Outlet Guard	✓	✓
Shaft Seal	✓	✓
Drain w/ Plug	✓	✓
Slide Gate Damper - Inlet	✓	✓
Slide Gate Damper - Outlet	✓	✓

**AEROVENT**   
INDUSTRIAL VENTILATION SYSTEMS

>> Quick Ship Program

FAN MODEL	QUICK SHIP	EFFICIENCY	HP	RPM	VOLT/HZ/PH	ENCLOSURE
BIUB (Sizes 90-105)	5 & 10 Day	Std. Efficiency	1/6 - 1	1200 1800 3600	115/60/1 208-230/60/1	ODP & TEFC
		Std. Efficiency	1/4 - 2	1200 1800 3600	208-230/60/3 460/60/3 460/60/3 575/60/3	ODP & TEFC
		Prem. Efficiency	1 - 2	1800 3600	208-230/60/3 460/60/3 575/60/3	ODP & TEFC
BIUB, BAUB (Sizes 122-365)	5 Day	Std. Efficiency	1/6 - 1	1800 3600	115/60/1 208-230/60/3 460/60/3 575/60/3	ODP & TEFC
		Std. Efficiency	1/4 - 10	1800 3600	115/60/1 208-230/60/1	ODP & TEFC
		Prem. Efficiency	1 - 10	1800 3600	208-230/60/3 460/60/3 575/60/3	ODP & TEFC
	10 Day	Std. Efficiency	1 - 50	1800 3600	208-230/60/3 460/60/3 575/60/3	ODP & TEFC
		Prem. Efficiency	1 - 50	1800 3600	208-230/60/3 460/60/3 575/60/3	ODP & TEFC
CA	5 & 10 Day	Std. Efficiency	1/3 - 3/4	1800 3600	115/60/1 208-230/60/1	ODP & TEFC
		Std. Efficiency	1/3 - 20	1800 3600	208-230/60/3 460/60/3 460/60/3 575/60/3	ODP & TEFC
		Prem. Efficiency	1 - 20	1800 3600	208-230/60/3 460/60/3 575/60/3	ODP & TEFC

\*Must check individual catalogs for maximum frame sizes on each size and class.



**>> Quick Ship Program**

---

**PROPELLER FANS | TUBEAXIAL & VANEAXIAL FANS | CENTRIFUGAL FANS & BLOWERS | ROOF VENTILATORS  
AIR HEATERS & COOLERS | AIR MAKE-UP | COMPOSITE FANS | CUSTOM FANS**



**AEROVENT**   
INDUSTRIAL VENTILATION SYSTEMS

**[WWW.AEROVENT.COM](http://WWW.AEROVENT.COM)**

---

**5959 Trenton Lane N | Minneapolis, MN 55442 | Phone: 763-551-7500 | Fax: 763-551-7501**